



OXY 7

Polarographic sensor

O₂-Temperature-Barometric pressure

OXY 70

Optical LDO sensor

O₂-Temperature-Barometric pressure-GLP-Data logger USB
Mains supply and battery



The Future Starts Now



OXY 7

Polarographic sensor

O₂-Temperature
Barometric pressure

OXY 70

Optical LDO sensor

O₂-Temperature – Barometric pressure
GLP – Data logger USB
Mains supply and battery

The Future starts now

Italian team expert in electrochemistry have developed this new line of portable Oxygen meters, finding the right balance between design and easy to use.

An elegant and ergonomic case, with practical soft rubber and IP57 protection, contains the best of technology. A large display (backlight for OXY 70) shows all information that you need about the measurement, calibration points and instrument's memory (OXY 70).

Only 4 keys for OXY 7 (6 for OXY 70) allow the user to control all functions in intuitive and easy way.

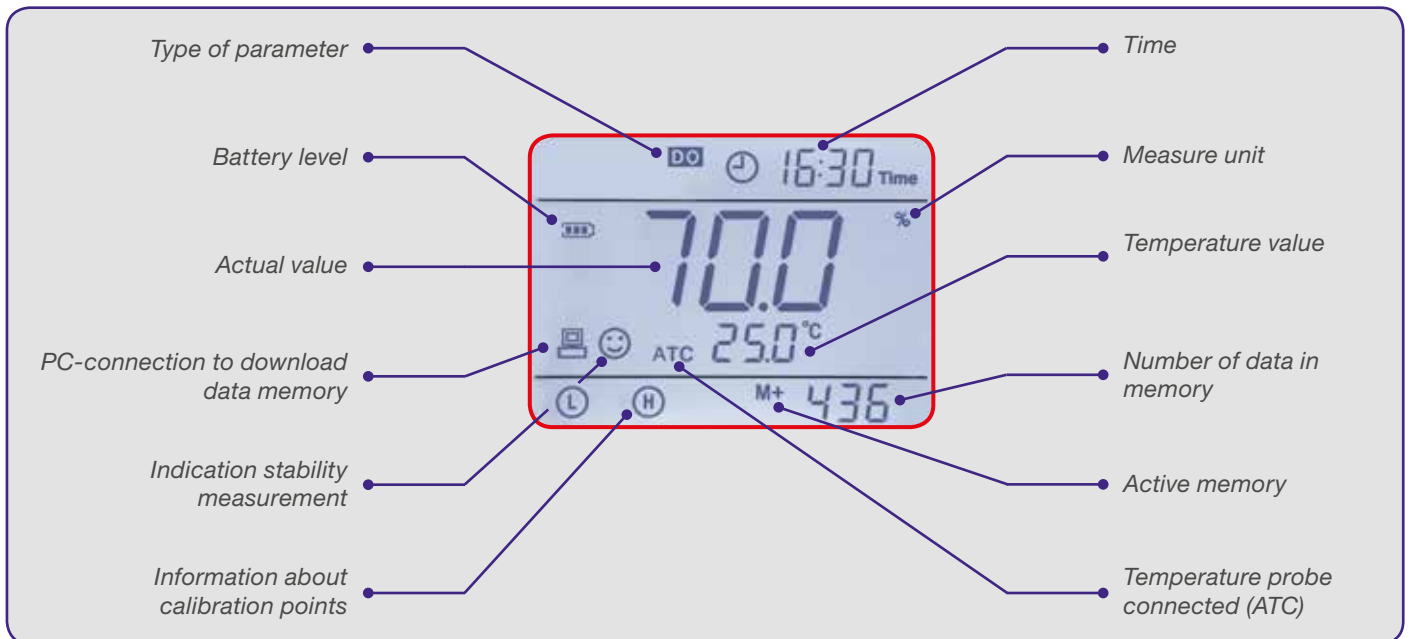
A practical USB port (OXY 70), covered to guarantee water-proof protection, allows to download data (with date of last calibration done), power the instrument by Computer or with power supply 220V/USB included.

All the functional parameters of connected Oxygen sensor, during measurement or calibration, are constantly checked and inform operator for easy trouble-shooting.



Sensor DO7/3MT

Sensor LDO70/2MT



Code	Description
Accessories OXY 7	
50010242	Polarographic sensor OXY DO7/3MT with 3 meter cable, 2 membrane and filling solution (30ml)
50010252	Kit 2 membrane for sensor OXY DO7/3MT
50010262	Filling solution for electrode OXY DO7/3MT 1x 30ml
50010282	Plastic armature (PPE) for dip immersion electrode DO7/3MT (to be order with OXY 7)
Accessories OXY 70	
50010342	Optical sensor LDO70/2MT with 2 meter cable
50010352	Optical sensor LDO70/10MT with 10 meter cable
50010362	Replaced membrane LDO for sensor LDO70/2MT and LDO70/10MT
50010372	Steel armature for dip immersion sensors LDO70/10MT
Calibration standard	
50010272	Standard zero (0) Oxygen, single use. Kit of 5 bottles for DO7/3MT, LDO70/2MT, LDO70/10MT
50010292	Standard zero (0) Oxygen single use 1 bottle for DO7/3MT, LDO70/2MT, LDO70/10MT





OXY 7 ECO only meter, without probe in carton box ECOpack



Main Features

- Display O₂ and Temperature parameters simultaneously
- Polarographic sensor (OXY 7) and Optical sensor (OXY 70)
- Automatic calibration 1 or 2 points
- Indication stability of measurement for high accuracy
- Large Display (backlight for OXY 70) with indication of calibration buffers and measurement's stability
- Waterproof instrument with IP 57 protection
- Strong carrying case with all accessories to be used as small portable laboratory
- Automatic Air Pressure compensation and manual Salinity compensation
- Only one button press to switch from % Saturation to mg/l(ppm) Oxygen value

... only for OXY 70

This instrument is equipped with technology of optical luminescence sensor (LDO). Low maintenance, easy calibration, no polarisation time, no Oxygen consumption and no different gases interference are the big advantage of this new technology. Optical luminescence sensor (LDO) is maintenance free. No electrolyte inside at membrane cap

- GLP
- CAL DUE: set of calibration frequency for high quality of measurements
- Memory with re-call of last calibration information (date and time for OXY 70)
- Data logger (automatic or manual) 500 data sets with date and time
- USB port to transfer Data and power by computer or power-supply (included)
- Software DataLink 70 to download data (included)
- IP 67 probe



Connectors for Polarographic sensor (OXY 7)



Connector for Optical LDO sensor (OXY 70)



Plastic armature (PPE) for dip immersion electrode DO7/3MT (to be order with OXY 7)



Steel armature for dip immersion sensors LDO70/10MT



Computer connection with USB cable



USB port to transfer data and power by computer or power supply (OXY 70)



Standard zero (0) Oxygen single use



Technical specifications	OXY 7	OXY 70
Dissolved Oxygen measuring range	0,00...19,99 mg/l-ppm / 20,0...50,0 mg/l-ppm	0,00...19,99 mg/l-ppm / 20,0...50,0 mg/l-ppm
Resolution	0,01 / 0,1	0,01 / 0,1
Accuracy (with sensor)	± 1,5% F.S.	± 0,2 up to 10 mg/l-ppm ± 0,3 from 10 to 20 mg/l-ppm ± 5% from 20 to 50 mg/l-ppm
Oxygen saturation measuring range	0,0...199,9 % / 200...400%	0,0...199,9 % / 200...400%
Resolution	0,1 / 1 %	0,1 / 1 %
Accuracy (with sensor)	± 10%	± 10%
Oxygen points of calibration	1 o 2 automatic	1 o 2 automatic
Barometric air pressure measuring range	0,0...1100 mbar	0,0...1100 mbar
Resolution	1 mbar	1 mbar
Accuracy	± 0,5%	± 0,5%
Automatic air pressure compensation	Yes	Yes
Temperature measuring range	0,0... 60,0 °C	0,0... 60,0 °C
Resolution	0,1 °C	0,1 °C
Accuracy	± 0,5 °C	± 0,5 °C
Automatic and manual temperature compensation	Yes	Yes (only automatic)
Salinity measuring range	0...50 ppt	0...50 ppt
Salinity compensation	Yes manual	Yes manual
GLP system	No	Yes
Display	LCD	LCD backlight
Data memory	No	Man / Auto 500 Data with date and time
Data logger function	No	Yes
Criteria of measurement stability	Yes	Yes
Date and time	No	Yes
Memory data of calibration	No	Yes
CAL DUE (calibration timer)	No	Yes
IP protection class	Waterproof IP 57	Waterproof IP 57
Auto power off	Yes (after 20 min)	Yes (after 20 min)
Inputs	BNC / RCA (cinch)	DIN multipin
Communication interface	No	USB
Power supply	3 x 1,5V battery AA	3 x 1,5 V battery AA AC/DC power with USB cable
Battery life	From 300 to 500 hours	From 300 to 500 hours
Dimensions / weight only meter	86 x 196 x 33 mm / 295 g	86 x 196 x 33 mm / 300 g
Dimensions / weight with carrying case	385 x 300 x 115 mm / 1720 g	385 x 300 x 115 mm / 1725 g

How to order

Code	Description
50010202	Oxy 7 with polarographic sensor OXY DO7/MT with 3 mt cable, 1 bottle O Oxygen standar, 1 replacement membrane cap, 1x30ml filling solution, carrying case and accessories
50010212	Oxy 7 ECO only meter, without probe in carton box ECOpack
50010302	Oxy 70 with optical Oxygen sensor LDO70/2MT with 2 mt cable. 1 bottle O Oxygen standard, power supply, software DataLink 70 to download data, USB cable, carrying case and accessories
50010312	Oxy 70 with optical Oxygen sensor LDO70/10MT with 10 mt cable. 1 bottle O Oxygen standard, power supply, software DataLink 70 to download data, USB cable, carrying case and accessories

DISTRIBUTED BY:



GUARANTEED BY:

GIORGIO BORMAC
s.r.l.

